

Bushing Data:

Rated Voltage	52	kV
Phase to-earth Voltage	52	kV
Dry Lightning Impulse I, 2/50µs	250	kV
Wet Switching Impulse	210	kV
Wet Power frequency AC	120	kV
Routine test Imin dry 50Hz	120	kV
Rated Current	3150	A
Creepage Distance	1425	mm
Mass	190	kg

Ordering Data:

BUSHING
 LF121051 -B / -AB COLOUR AIR INSULATOR
 BROWN / LIGHT GREY

OUTER TERMINAL

LF170 073-A Al	H2 (mm)	D2 (mm)
LF170 073-B Cu	125	60
LF170 073-G Cu/Ag	125	60
LF170 073-G Cu/Ag	125	60

OTHER TYPES ON REQUEST

END-SHIELD

LF170 046-U EPOXY INSULATED
 LF170 046-UP INSULATED WITH 3 mm PRESSBOARD

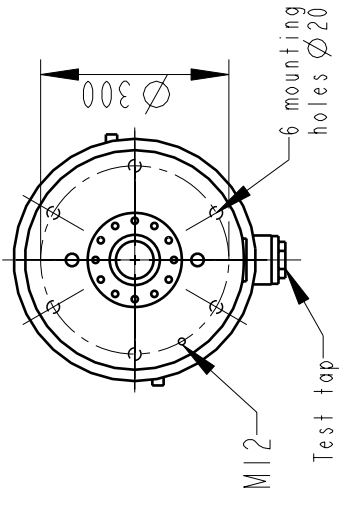
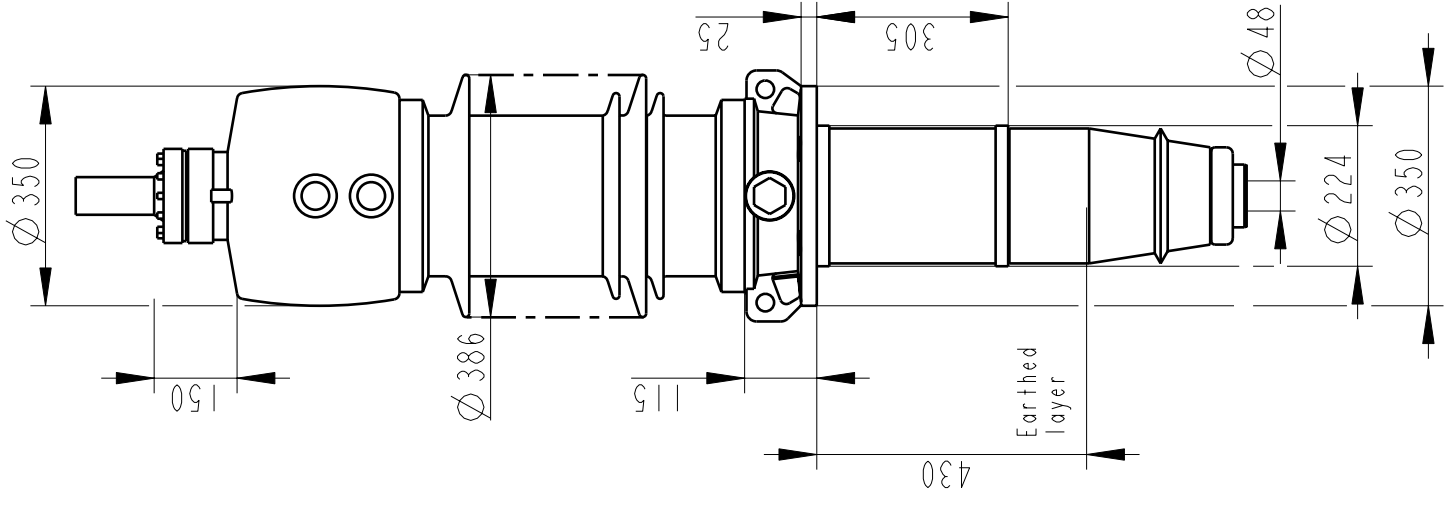
DRAW ROD SYSTEM

LF170 059 LOWER DRAW ROD WITH NI=4 OR NI=6
 LF170 057 UPPER DRAW ROD

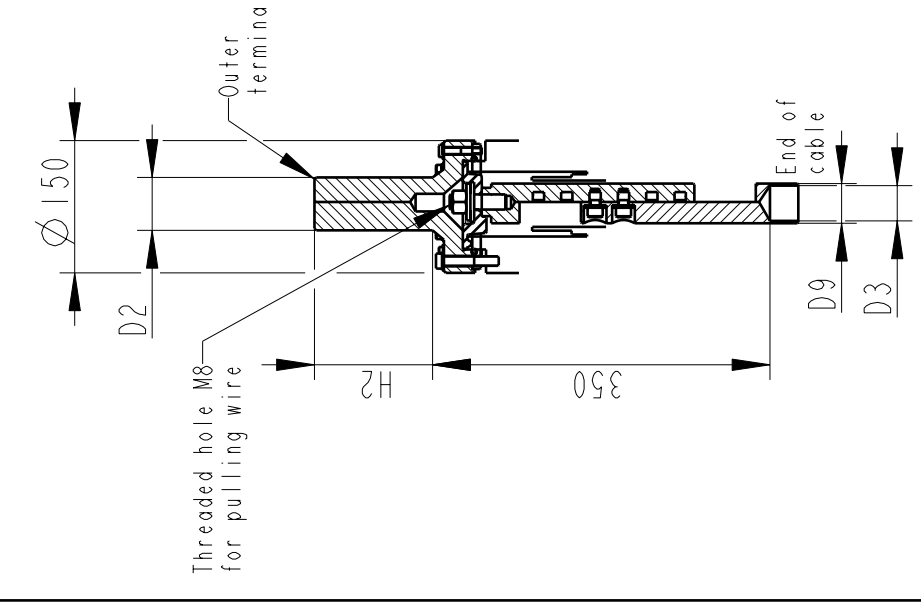
INNER TERMINAL

D3 (mm)	D9 (mm)	Cond. area (mm ²)	Current (A)	IEEC
LF170 056-E O*)	45	-	-	-
LF170 056-D	45	600	1600	1360

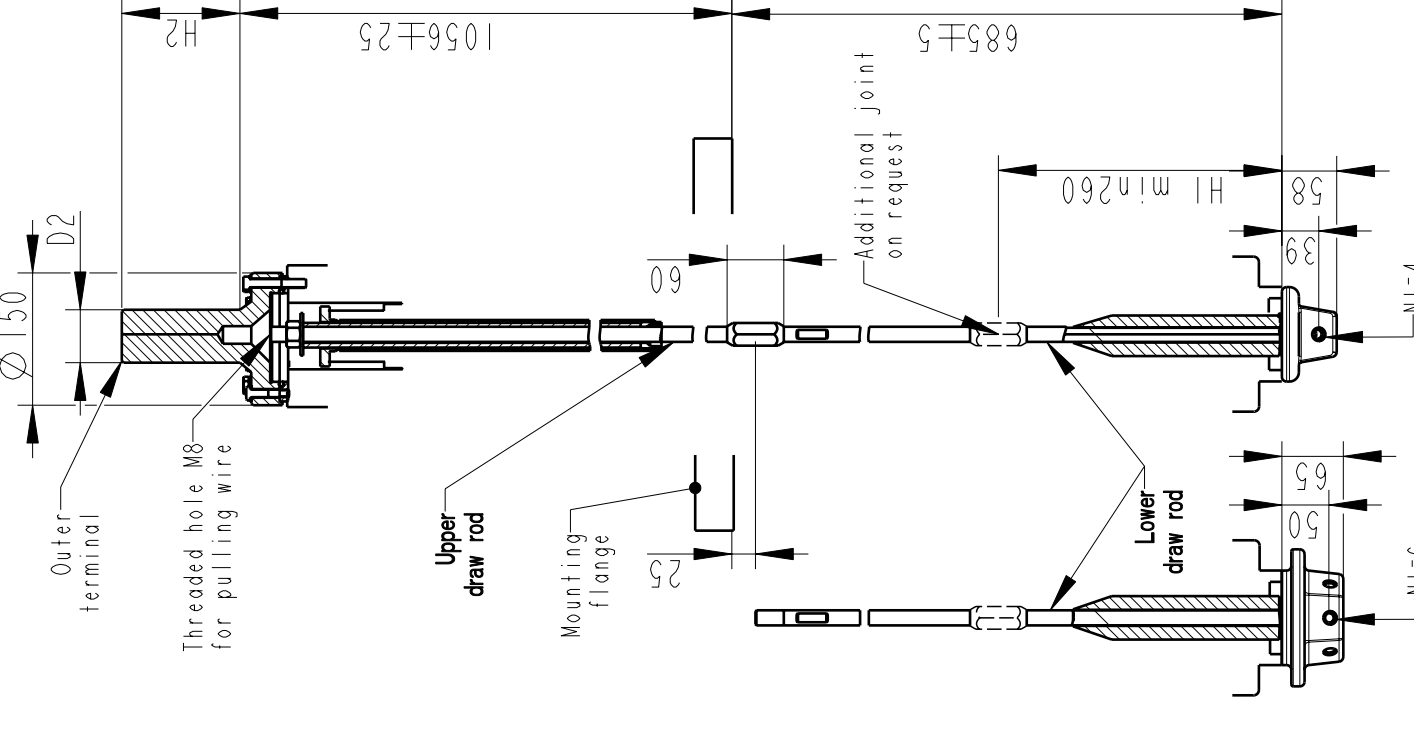
*) WITH PILOT HOLE D=5



INNER TERMINAL / OUTER TERMINAL



DRAW ROD SYSTEM / OUTER TERMINAL



NI=Number of holes M12, equipped with thread insert with screw lock, depth 20, for cable lugs.

END SHIELD

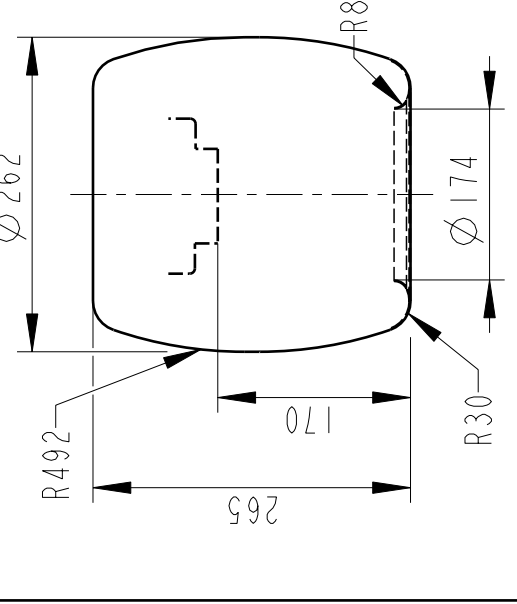


ABB Components Lutha, Sweden

No.	kV	tr	A	50-60	Hz
U	kV	SI	kV	AC	kV
M	kg	L	mm	D	
C1	pF	Tanδ			
C2	pF	Tanδ			

Based on	Reg. No.	Title
Prepared	Responsible department	GOE-250-210-3150-0.3
Lövnord	COM/BK 0022	
Approved	Take over department	
Johansson	Database	
Design engineering review		
Gutman		
ABB ABB Components		Document No. 2751369-1